



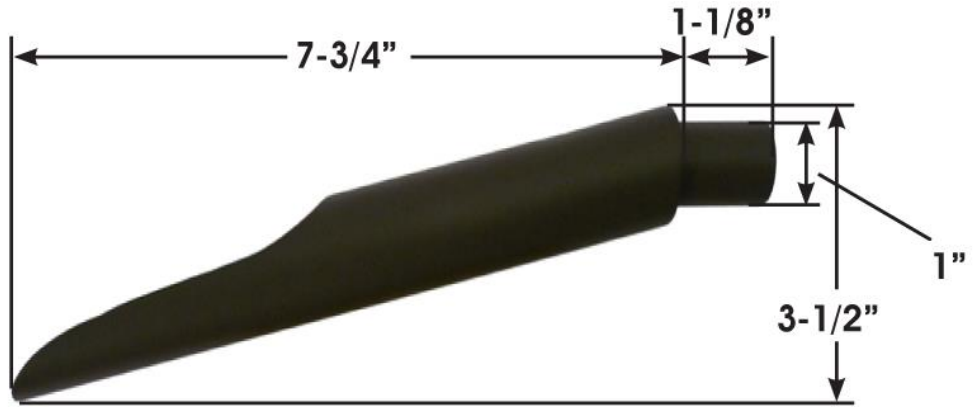
PRODUCT SPECIFICATIONS

Wherever Wall Faucet with Waterfall Spout
WE-LAV-WM-WF

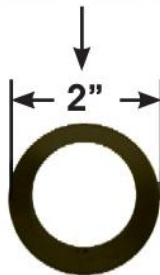
Oct 2016

Pictures are not to scale

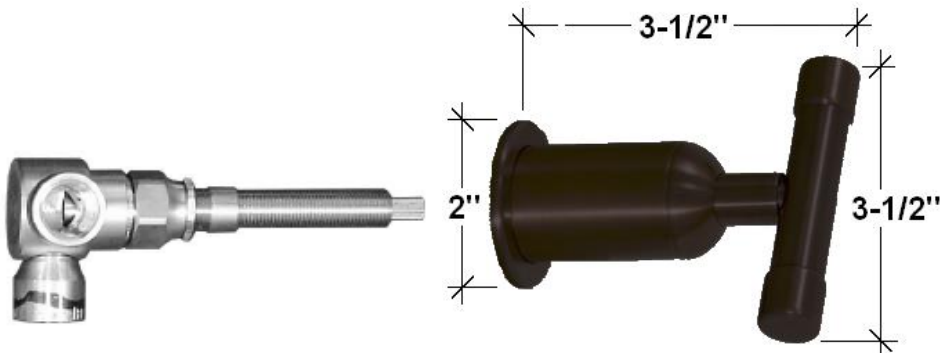
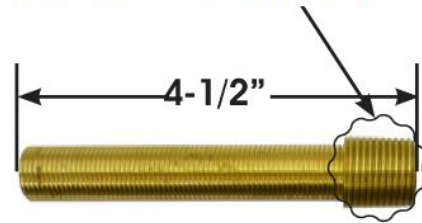
AERATOR HOUSING
(LAV SPOUTS ONLY)



TRIM RING



1/2" NPT
NIPPLE ADAPTER



- ADA Compliant
- Controls can be installed 'Wherever'
- Offset and Cross handles available
- Custom sizes and finishes available

| | |
|------------|--------------|
| Connection | 1/2" NPT |
| Valve | 1/2" Ceramic |
| GPM | 1.2 |
| | |
| | |